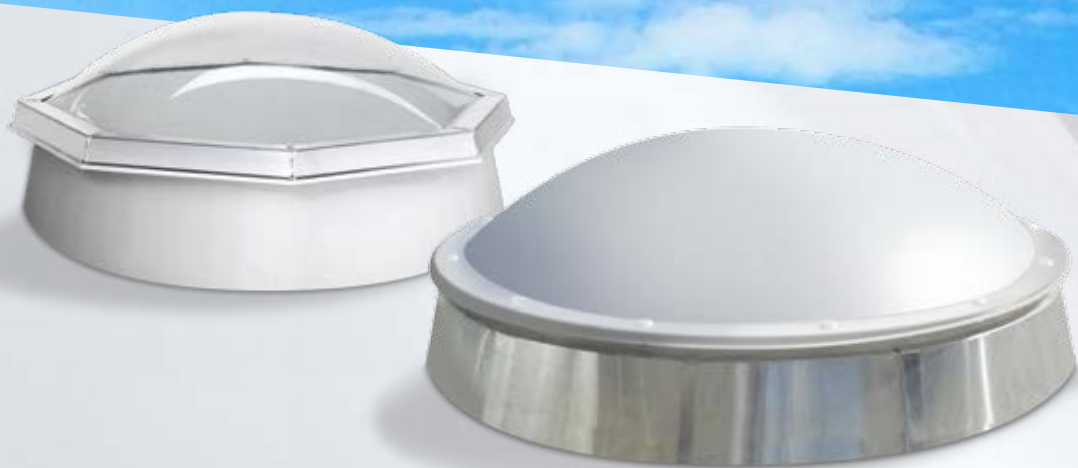


# Wemalux R type + R8 type



The perfect blend of design and quality



# The domelight at its most beautiful

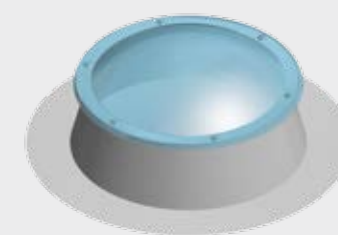


## More than a domelight

Wemalux R and R8 types are special forms of the Eberspächer Wemalux M series. They meet the highest demands that are placed on components of modern building envelopes: outstanding thermal performance and sound insulation values with significantly improved light input for optimum lighting of interior spaces as well as hail and fall-through protection. Both types can also be used for daily ventilation and smoke ventilation (SHEV). Sustainability is our top priority. Wemalux M is made for a long service life and completely recyclable. **extraQuality** made in Austria.

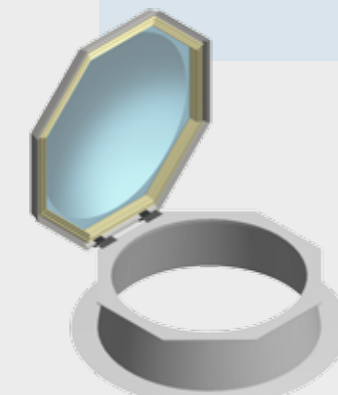
### Product properties

- High-quality product
- Up to a diameter of 2.2 m
- Best sound insulation values and thermal performance
- Completely dust- and water-tight
- 1 to 5-dome configuration
- Suitable for daily ventilation (manual, electric or pneumatic ventilation devices)
- Suitable for smoke ventilation (SHEV)
- Every rigid domelight can subsequently be retrofitted
- Fall-through proof: LifeNet between the layers
- Suitable for flat roofs and flat inclined roofs with a maximum roof gradient of 25°
- Optional for R8 type: Insulated glass cladding of up to  $u=0.65\text{ W/m}^2\text{ K}$  (clear or coloured)



### OO R type

Round design. The R type domelight is circular on the inside and outside and especially suitable for architectural masterpieces. This enables circular light surfaces to be created in the interior. And the circular shape of the upstands and domes ensures an attractive building envelope – perfection all round.



### OO R8 type

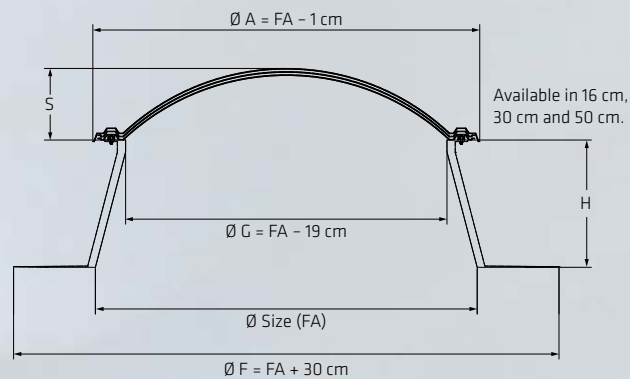
Circular interior and octagonal exterior. The R8 type is an advancement of the R type with all the technical refinements of the Wemalux M series. All proven advantages of the square domelight are provided in an octagonal shape. The interior view remains circular. This means that circular light surfaces can also be created in the interior with all technical possibilities.



extra**Quality**  
made in Austria

## Technical data

FA free area in the roof [cm]	Free area upstand [cm]	Free area for ventilation with stroke length 300 mm [m <sup>2</sup> ]	Free area for ventilation with stroke length 500 mm [m <sup>2</sup> ]	Geometrical free area, NSHEV [m <sup>2</sup> ]
Ø 60	Ø 41	0.15	0.19	0.13
Ø 80	Ø 61	0.23	0.29	0.29
Ø 90	Ø 71	0.26	0.33	0.40
Ø 100	Ø 81	0.30	0.38	0.52
Ø 120	Ø 101	0.37	0.48	0.80
Ø 150	Ø 131	0.48	0.62	1.35
Ø 180	Ø 161	0.60	0.76	2.04
Ø 210	Ø 181	0.67	0.85	2.57
Ø 220	Ø 201	0.74	0.95	3.17



*Eberspächer stands for the very best in daylight technology. With our decades of experience, significant technical expertise and state-of-the-art production systems, we develop high-tech solutions that deliver a lasting upgrade of working and living spaces. And we invest a great deal of time and energy into continuously improving our product range. We are therefore regularly setting new standards in modern daylight technology.*

### Eberspächer Tageslichttechnik GmbH

Obere Hauptstraße 55-59

2451 Au am Leithaberge

Phone +43 (0)2168 8271-0

Fax +43 (0)2168 8271-17

eberspaecher@tageslichttechnik.at

www.tageslichttechnik.at

Acustico

Arcolicht

Flatlux

Prismolux

R/R8 type

Tentolux

Toplicht

Wemaflap

Wemalux